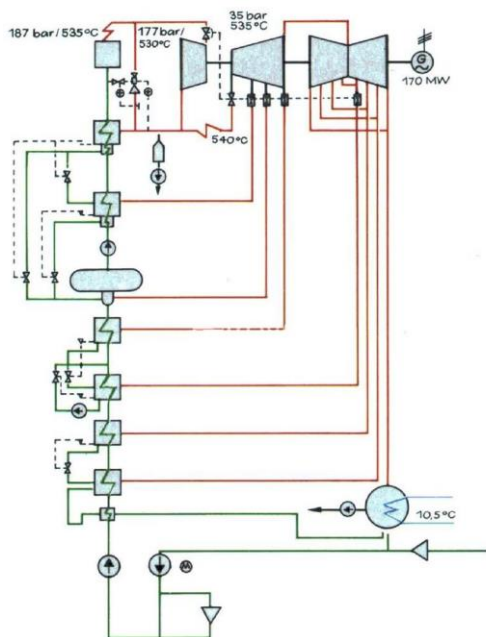


GENERAL DESCRIPTION

Type: Steam Power Plant

Location: Western Europe



This thermal power plant comprises a steam turbine designed for power generation at 170 MW_e gross capacity.

Commissioned in 1972 and retrofitted in 2010 the plant has a significantly extended life span and meets state of the art emission targets.

Since the boiler is not included, fuel types can be any fitting a new boiler, e.g. coal, gas, oil or biomass.

This power plant is offered as the entire package as further specified below and is ready for dismantling and packing.

Relocation by ship transport is recommended since the plant is located in a port.

Offering

| | |
|--|--|
| item / type | steam turbine-generator set with auxiliary systems |
| typical usage | base load to medium load production |
| status | mothballed since 2015 |
| availability for dismantling | now |
| sales prices | Euro 5.5 Mio. for all re-usable components |
| new build cost (for comparison) | Euro 150 Mio. (approx., for the entire plant incl. new boiler) |
| new build time (for comparison) | 2 years (approx.) |

Key Figures

| | |
|--|---|
| main fuel type | any fuel type fitting a new steam generator / boiler |
| electrical output | 170 MW _e gross capacity (approx.) |
| efficiency | 40 % (approx., depending on new boiler) |
| plant size | 2,000 m ² (approx., depending on new boiler) |
| year of commissioning / year of last retrofit | 1972 / 2010 |

Operating Figures

| | |
|---------------------------------|---|
| max. generation capacity | 170 MW _e (approx., at full load) |
| cold start time: | 360 minutes (to reach max. capacity) 130 minutes (to start grid synchronization) |
| fuel quality | any (depending on new boiler) |
| fuel storage capacity | (not included) |
| type of cooling | river water circulation |
| amount of cooling water | 15,000 m ³ /h (at 10° C max. temperature increase) |

Technical Figures of Main Components

This power unit for sale comprises a 170 MW steam turbine, a 220 MVA generator, related transformers and selected components of the water / steam cycle.

| | |
|---|--|
| steam turbine | KWU, 3 stage condensing turbine, 7 tappings capacity approx. 170 MW (at full load) rated speed 3,000 rpm steam inlet pressure 180 bar at 530°C heat extraction pressure 3.4 bar at 135°C total operating hours 248,703 total No. of starts 5,090 last major revision 1982 / retrofit 2010 |
| generator | 220 MVA H ₂ cooling |
| water / steam cycle | amongst others: feed water pump, 530 t/h at 273 bar, 6 MW (approx.) 2 high pressure pre-heaters |
| transformers | 215 MVA step up transformer 10 kV -> 110 kV 18 MVA step down transformer 10.5 kV -> 6 kV |
| control and communication system | Siemens, Hartmann+Braun |

Additional Information

| | |
|----------------------|----------------------------|
| spare parts | some spare parts included |
| marketing fee | will be paid by the seller |

Disclaimer:

Although the statements and technical information contained herein are believed to be materially accurate, no representation or warranty is given as to the accuracy of any of the information provided.

Contact:

troveo – we trade power plants and components

e-mail request@troveo.de

phone +49 201 75 998 521

fax +49 201 75 998 529